

The Power of Illumination

www.bplust.com

JX Series 0-10V or Line Dimmable Electronic LED Drivers For Constant Current LED Applications



The JX Series Electronic LED Drivers are specially engineered for today's connected lighting systems that employs 0 to 10V dimming controls. The JX Drivers will operate noiselessly and provide on/off control and dimming range of full output to 180 mA. The JX Drivers are also dimmable using compatible low voltage line dimmers.

The JX Drivers are designed to power constant current LEDs with maximum output power of 24 watts. The output current can be field programmable from 250mA to 1000mA with operating voltage of 3 to 34VDC. Equipped with unique auto-sense technology these drivers will not overdrive LEDs. The JX drivers are offered in 2 formats: Hardwire enclosure with hole at each end for 1/2" MPT connectors; Compact remote mount enclosure with input with output leads.

Advantages

- ✓ Available in 2 formats: Compact enclosure with leads or junction box format with holes for conduit connectors.
- ✓ Designed for 0-10V dimming
- ✓ Dimmable with approved low voltage line dimmers
- ✓ Compatible with COB or string of LEDs
- ✓ No minimum load
- ✓ Easily controllable
- ✓ Noiseless operation under dimming conditions
- ✓ Facilitates lighting fixture integration
- ✓ Type P, Class 2 power supply
- ✓ Class A sound rating
- ✓ Suitable for dry and damp locations

General Specifications

- ✓ Input: 120V 50/60 Hz
- ✓ Maximum output voltage: 34VDC
- ✓ Minimum output voltage: 3VDC
- ✓ Output current: Field programmable 250 mA to 1000 mA (See chart)
- ✓ Maximum power output: 24W
- ✓ Input current at max power: 0.30A
- ✓ THD < 34%
- ✓ Class A isolation insulation system.
- ✓ Operating ambient temp: -20°C to 40°C
- ✓ Power factor: > 0.9
- ✓ FCC 18 sub part C, non-consumer RF Lighting devices

1-800-361-1400



Ordering Information

120 VAC

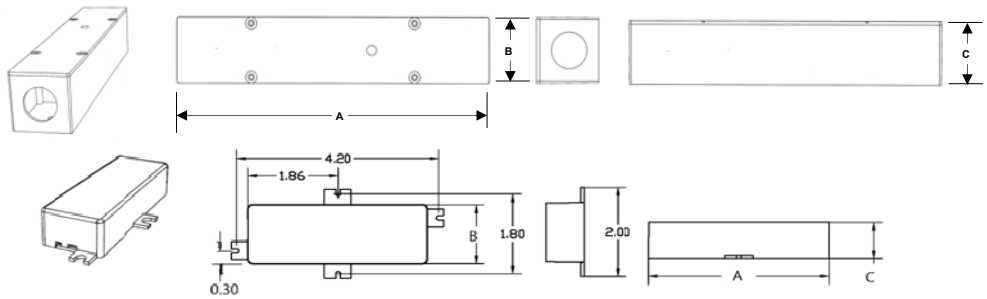
MODEL NO.	Max Output Voltage	Output Current Range	Agency	Max Input Current	Max Power	Enclosure Format	Color
JX7-1125-XW	34VDC	250 mA ~ 1000 mA	UL Listed	0.30A	24W	X	White
JX7-1125-XB	34VDC	250 mA ~ 1000 mA	UL Listed	0.30A	24W	X	Black
JX7-1125-LS	34VDC	250 mA ~ 1000 mA	UR	0.30A	24W	L (side wires)	White
JX7-1125-LC	34VDC	250 mA ~ 1000 mA	UR	0.30A	24W	L (bottom wires)	White

Note: Refer to output characteristic chart below for maximum output current versus maximum output voltage.

Dimensions

Format X

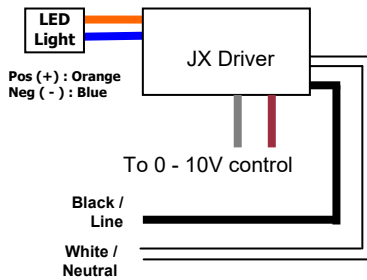
Format L



Format	A	B	C
X	7.80"	1.54"	1.47"
L	3.74"	1.35"	0.80"

Cabling Diagrams

For 0-10V Control



For ELV Dimming

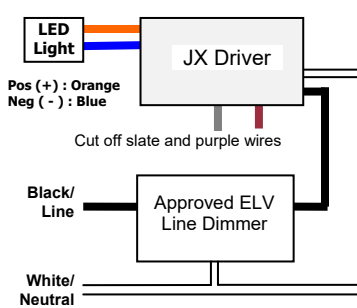
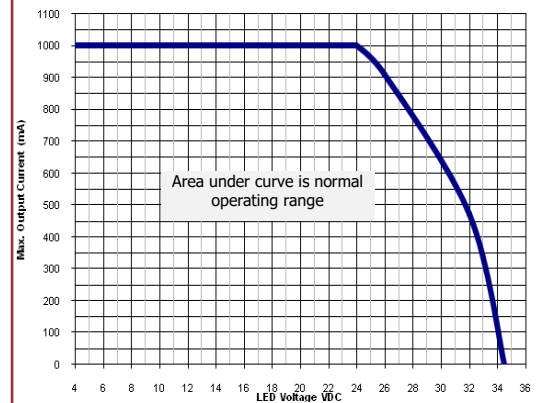


Chart1. Max. Output Current vs. LED Voltage



Warranty

3 years from date of shipment



175 Lewis Rd Ste 20
 San Jose, CA 95111
 USA
 Tel.: (408) 269-7884
 1-800-361-1400
 Fax.: (408) 269-7638
www.bplusl.com
sales@bplusl.com